



**ILF G2 | ILF G2 Pro
Neutral Identification functionality**

merytronic@merytronic.com
www.merytronic.com
+34 649 42 77 46

merytronic
gorlan

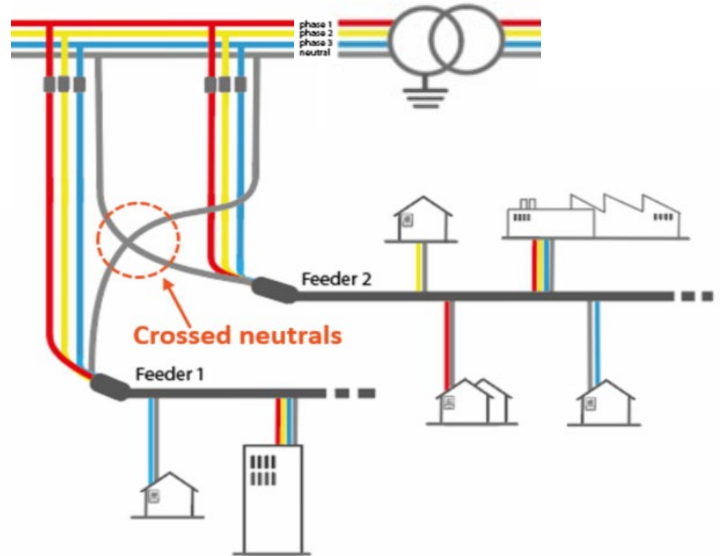
NEUTRAL identification with ILF G2 | ILF G2 Pro

In maintenance tasks that involve disconnecting the neutral, such as, replacement Low Voltage panels, unfold feeders... A **wrong identification** of the neutral can have **serious consequences** like:



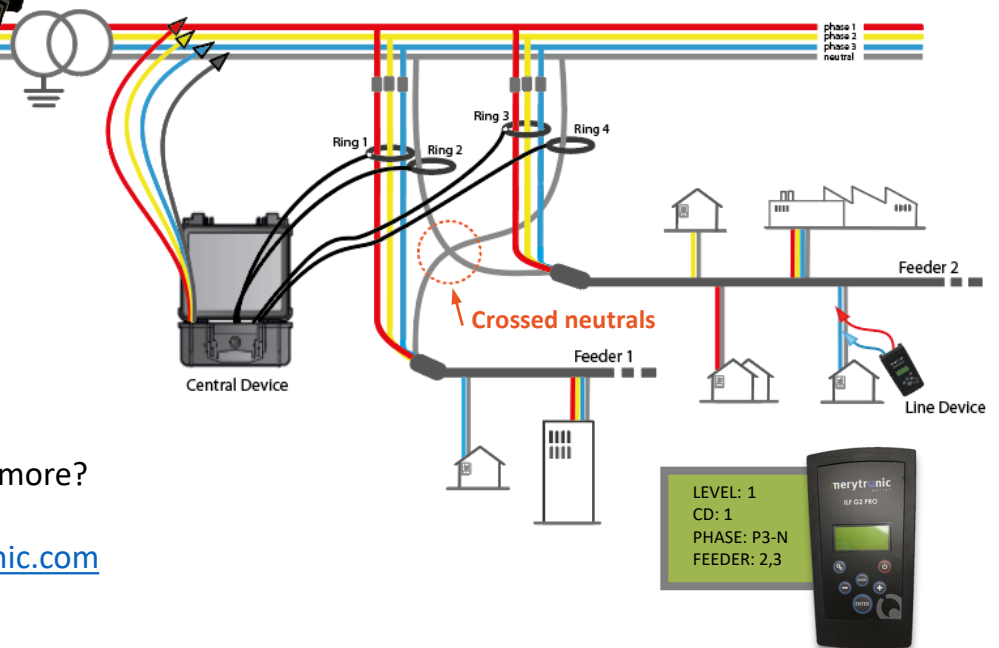
- Overvoltage
- Unbalanced between phases
- Errors to identify technical-losses
- Electric safety: Dangerous for people and devices
- Economic sanctions

CHECKING THE CORRECT IDENTIFICATION OF THE NEUTRAL IS OF CRITICAL IMPORTANCE



(*) ILF G2 Pro for more than 6 feeders

The new **ILF G2 | ILF G2 Pro*** device allows to identify the correct neutral, in a quick and reliable way, **avoiding mistakes of connection/disconnection and improve safety.**



Do you want to know more?
Contact with us:
merytronic@merytronic.com

+34 649 42 77 46

+34 94 605 24 62